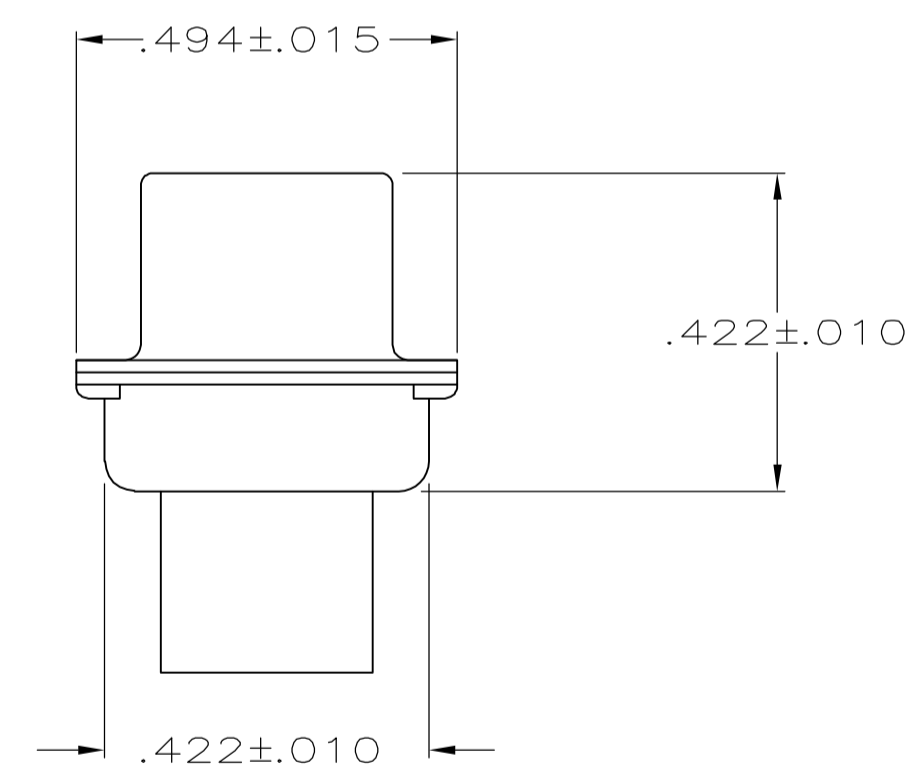
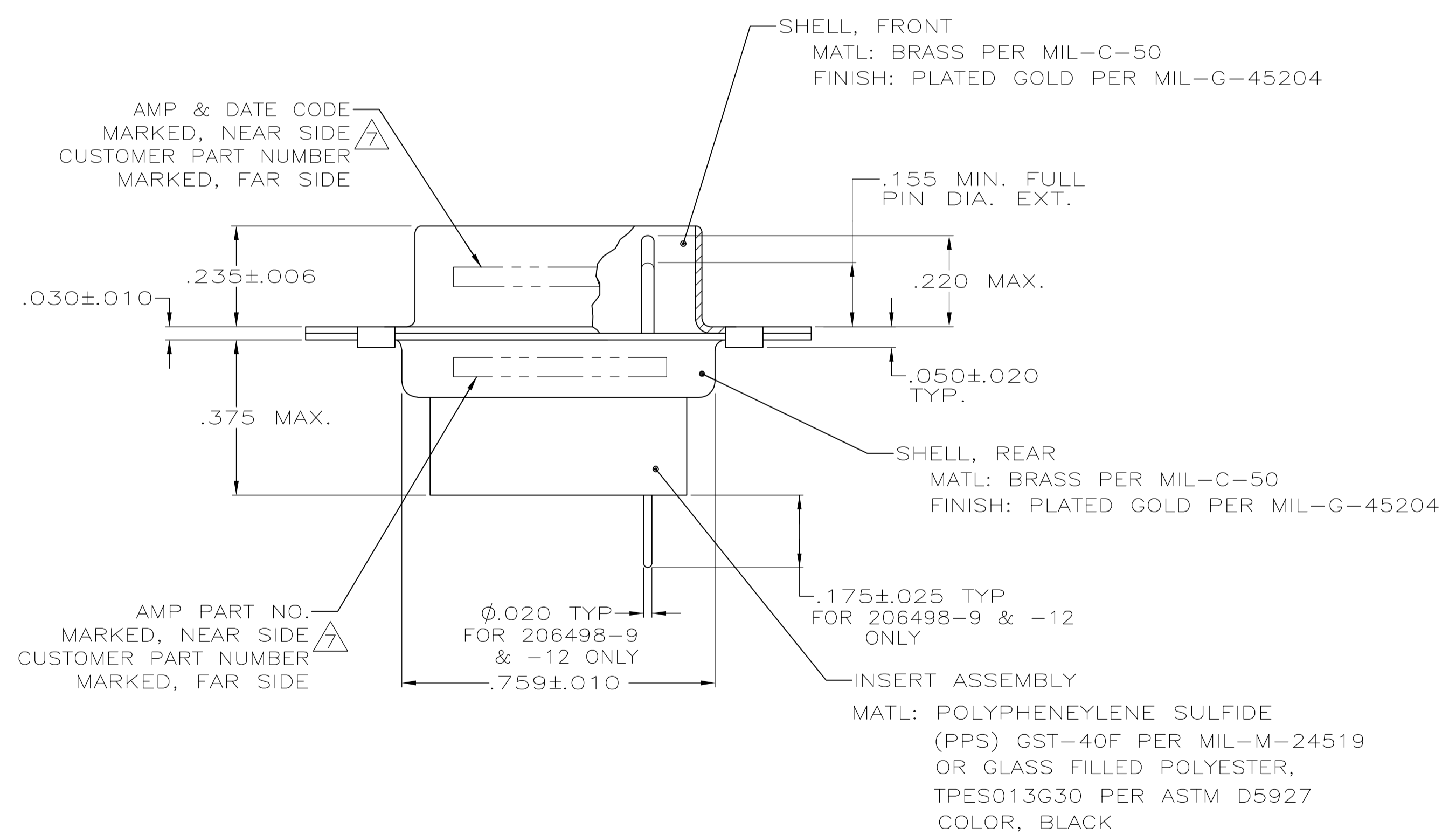
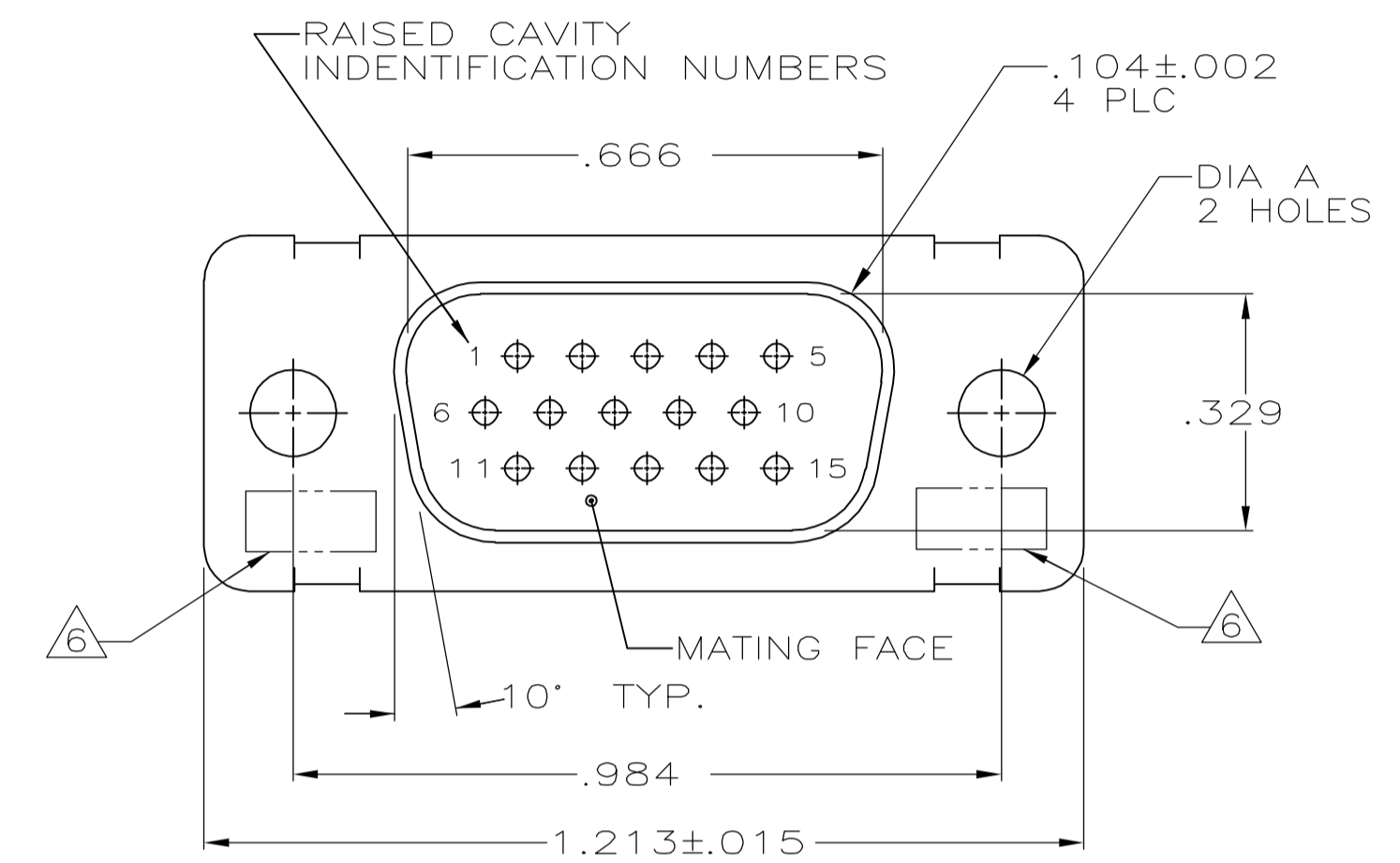


1. THIS PLUG WILL MATE WITH ANY RECEPTACLE CONNECTOR WITH THE SAME INSERT ARRANGEMENT AS DEFINED BY MS18273-2.
2. MAXIMUM WIRE INSULATION USED WITH THIS RCPT. IS .054 DIA.
3. Be-Cu RETENTION CLIPS ARE INCLUDED IN INSERTS.
- 4 AMP PART NO. ONLY, STAMPED AS SHOWN.
- 5 THESE CONNECTORS ARE QUALIFIED TO GODDARD SPACE FLIGHT CENTER SPECIFICATION S-311-P-4.
- 6 UL/CSA DESIGNATION STAMPED IN THIS AREA, OPTIONAL.
- 7 CUSTOMER PART NUMBER MAY BE SPLIT BETWEEN FRONT AND REAR SHELLS, SAME SIDE.
- 8 25 CONTACTS, AMP PART NUMBER 204370-8, SUPPLIED WITH EACH CONNECTOR.
- 9 CONNECTOR LOADED WITH POSTED CONTACTS. INSPECTION REQUIREMENTS PER GENERAL ELECTRIC DOCUMENT 20025720.
- 10 RESTRICTED TO CAE ELECTRONICS.
- 11 CONNECTOR LOADER WITH POSTED CONTACTS.



CONTACT P/N 204370-8
 GSFC G-08-P1
 (SUPPLIED WITH 209498-8 ONLY)

	.120	570566-7	1-206498-3	1-206498-3
	.120	-	1-206498-2	1-206498-2
5	.120	311P407-1P-B-12	206498-4	1-206498-1
5	.154	311P407-1P-B-15	206498-1	1-206498-0
9	.120	2002570P2015P	206498-9	206498-9
8	.120	3261113-7	206498-8	206498-8
	.154	1622251-003	206498-7	206498-7
	.120	R4383P15P	206498-6	206498-6
5	.120	R4383P15P-2	206498-5	206498-5
	.120	311P407-1P-B-12	206498-4	206498-4
	.154	4	206498-3	206498-3
	.120	R9259P15P	206498-2	206498-2
5	.154	311P407-1P-B-15	206498-1	206498-1
REMARKS	DIA A	MARKED CUSTOMER P/N	MARKED AMP P/N	AMP P/N

OBSOLETE

THIS DRAWING IS A CONTROLLED DOCUMENT.

DIMENSIONS: INCHES	TOLERANCES UNLESS OTHERWISE SPECIFIED:	0 PLC ± -	1 PLC ± -	2 PLC ± -	3 PLC ± .005	4 PLC ± -	ANGLES ± -
MATERIAL SEE CALLOUTS	FINISH SEE CALLOUTS	WEIGHT	—	SIZE	A1	SCALE	4:1

THIS DRAWING IS A CONTROLLED DOCUMENT. P. YEAGER 02OCT2006 D. MILLER 05OCT06 D. MILLER 06OCT06

Tyco Electronics Corporation Harrisburg, PA 17105-3608

PLUG, PIN CONTACTS HI-DENSITY D CONNECTOR SIZE 1, 15 POSN, NONMAGNETIC

00779 206498

CUSTOMER DRAWING SHEET 1 OF 1 REV AC